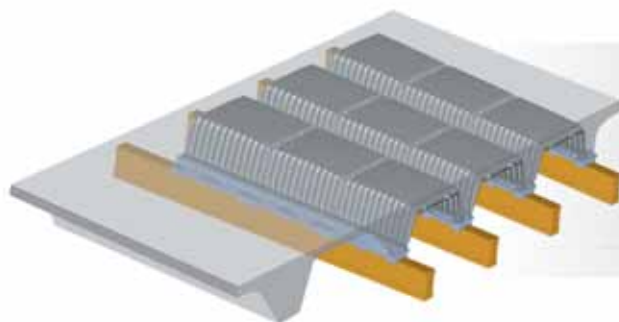




SKYRAIL®



A formwork system developed for one-way ribbed slabs for residential or industrial buildings



casseforme
formwork

SKYRAIL ADVANTAGES

SAVINGS

Thanks to the radical reduction of consumables, the system is amortised after a just few pours.

SAFETY

SKYRAIL is a completely self-supporting system that does not need any special safety features. It can be erected from below, maximising safety on the job site.

TECHNOLOGY

SKYRAIL allows to pour lighter slabs without having to incorporate any filler materials between the ribbing, thus giving the greatest structural efficiency.

DISMANTLING

As concrete does not stick to plastic cleansing of the formwork is done using just some water: the use of detergents and releasing agents is not necessary.

REUSABLE

Thanks to its robustness SKYRAIL can be reused.

HANDLING

The system is extremely light, it can be quickly disassembled and easily handled on site without requiring a crane. SKYRAIL can be compactly stored in limited space and does not suffer moisture.

FLEXIBILITY OF USE

The hollow created by SKYRAIL can be used for the passage of cable, wires, sanitary fittings and for the installation of lights and air conditioning systems.

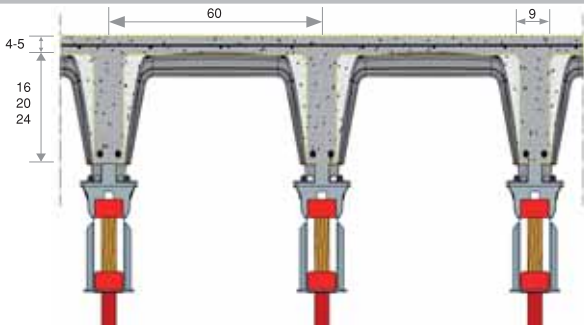
RESULTS

Slabs made with SKYRAIL can be left in sight or plastered with standard paneling.

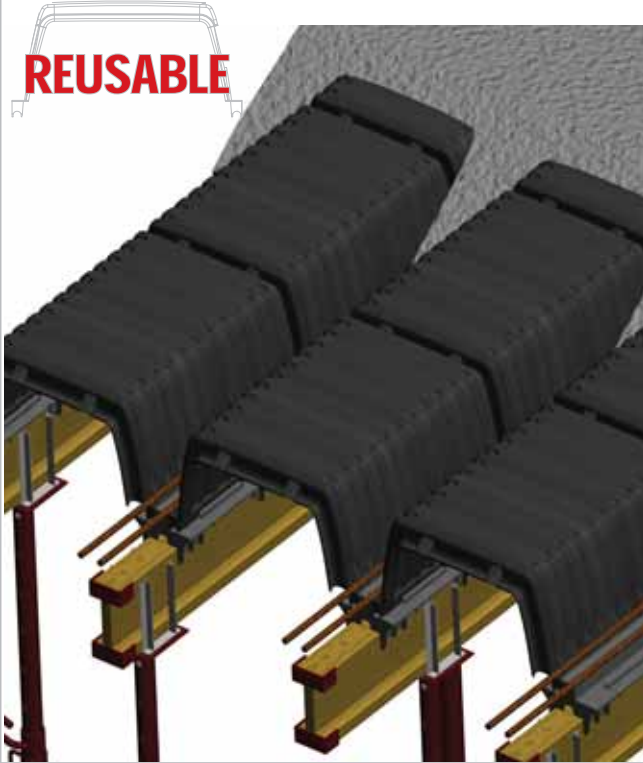


SKYRAIL COMPARISON

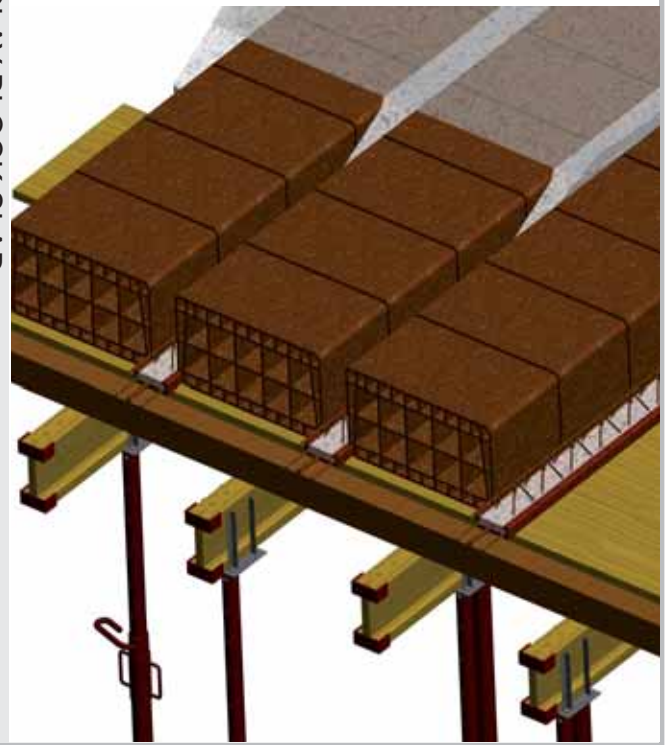
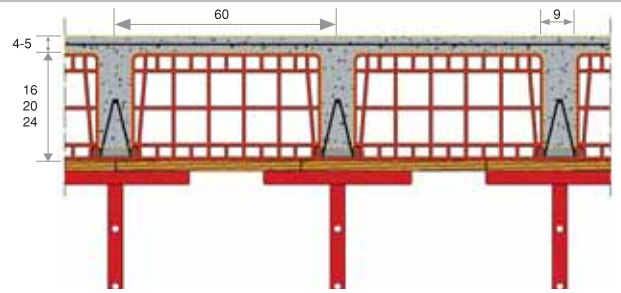
SKYRAIL



REUSABLE



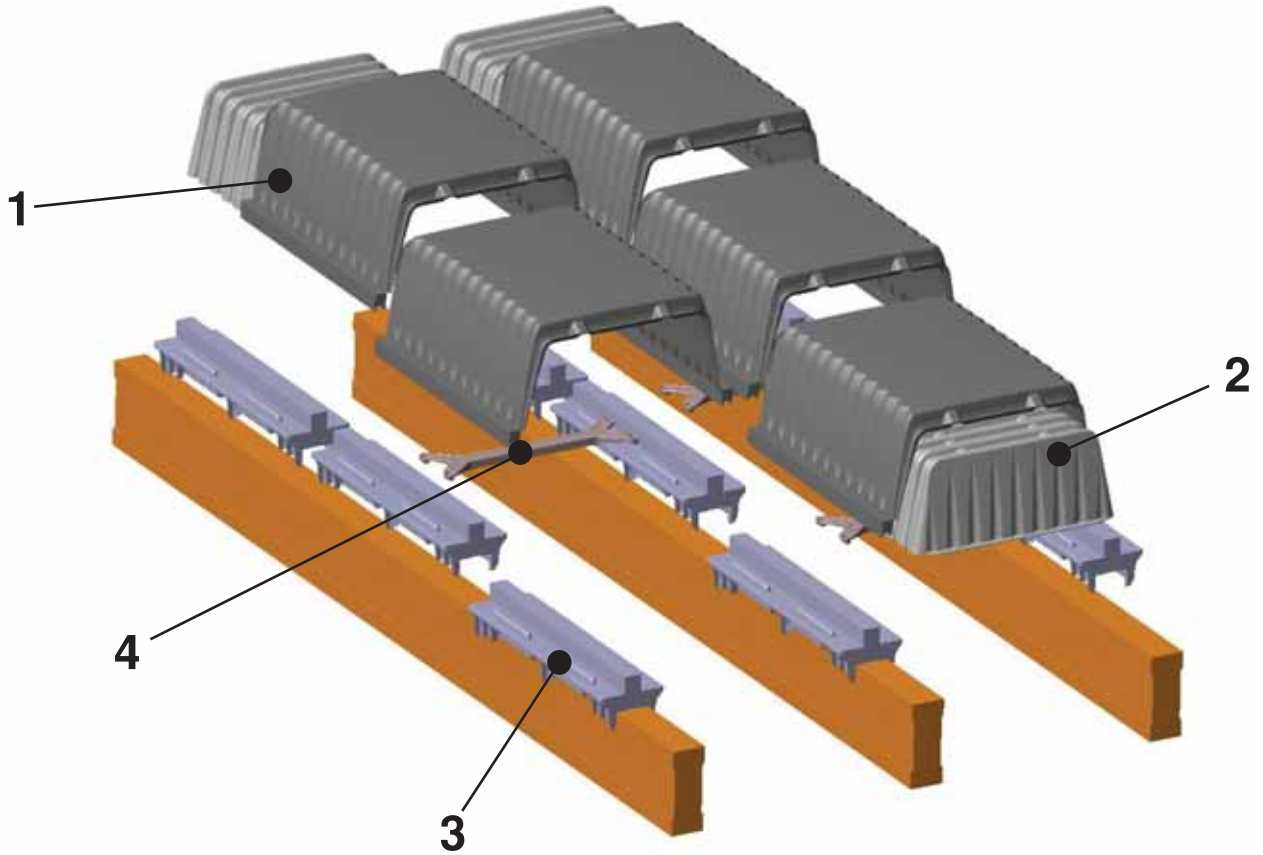
TRADITIONAL HOLLOW CLAY BLOCK SLAB



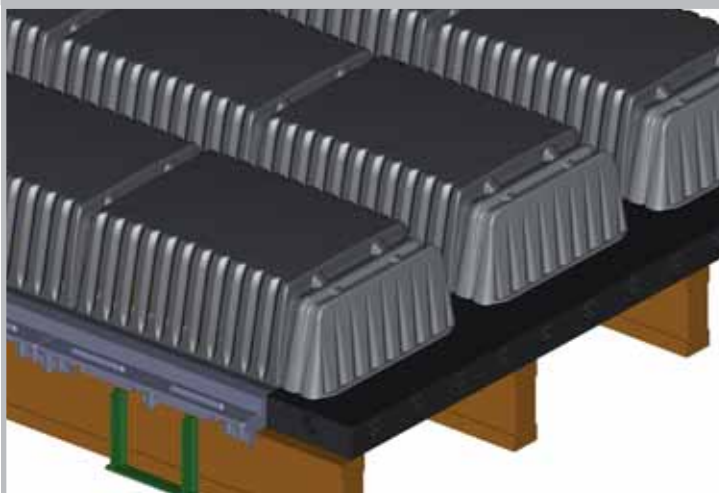
CHARACTERISTICS	SKYRAIL	HOLLOW CLAY BLOCK
SAFETY	The system is fully self-supporting	Requires a slab form underneath and other applicable safety features
SAVINGS	The system is completely amortised after just a few pours	The filler material is a consumable incorporated in the pour
USAGES	REUSABLE	JUST ONE USE
LOAD BEARING	Eliminating the weight of incorporated filler materials the slab increases its load bearing capacity.	The dead weight of the filler material decreases the load bearing capacity of the slab
ERECTION	Its low weight makes the system easy and fast to erect.	The weight and fragility of the filler material make it slow to install
STORAGE	Can be stored compactly in limited space and does not suffer moisture.	Needs a large storage area
SERVICES	The installation of services, sanitary fittings, cables and so on becomes very easy.	The poured slab needs extra preparation for the installation of services

SKYRAIL ITEMS

SKYRAIL



Compensation with SKYBLOCK® and GEOPANEL® or wooden planks



SKYRAIL ITEM CHARACTERISTICS

1 SKYRAIL H16 . L 60 cm
MATERIAL: ABS WEGHT: 2.50 Kg

SKYBLOCK H16 . L 37 cm
MATERIAL: ABS WEIGHT: 1.10 Kg

Compensation element

1 SKYRAIL H20 . L 60 cm
MATERIAL: ABS WEIGHT: 2.70 Kg

2 SKYBLOCK H20 . L 37 cm
MATERIAL: ABS WEIGHT: 1.30 Kg

Compensation element

1 SKYRAIL H24 . L 60 cm
MATERIAL: ABS WEIGHT: 3.00 Kg

2 SKYBLOCK H24 . L 37 cm
MATERIAL: ABS WEIGHT: 1.50 Kg

Compensation element

MINI SKYRAIL H16 - L 30 cm MATERIAL: ABS WEIGHT: 0.71 Kg

MINI SKYBLOCK H16 - L 14,4 cm MATERIAL: ABS WEIGHT: 0.30 Kg

Compensation element

4 SPACER MATERIAL: ABS

H20 BEAM with end reinforcement
MATERIAL: wood

3 T-BEAM . L 60 cm MATERIAL: ABS WEIGHT: 1.70 Kg

Placed on H20 beams ensures the precise and safe installation of SKYRAIL

FORKHEAD
MATERIAL: steel

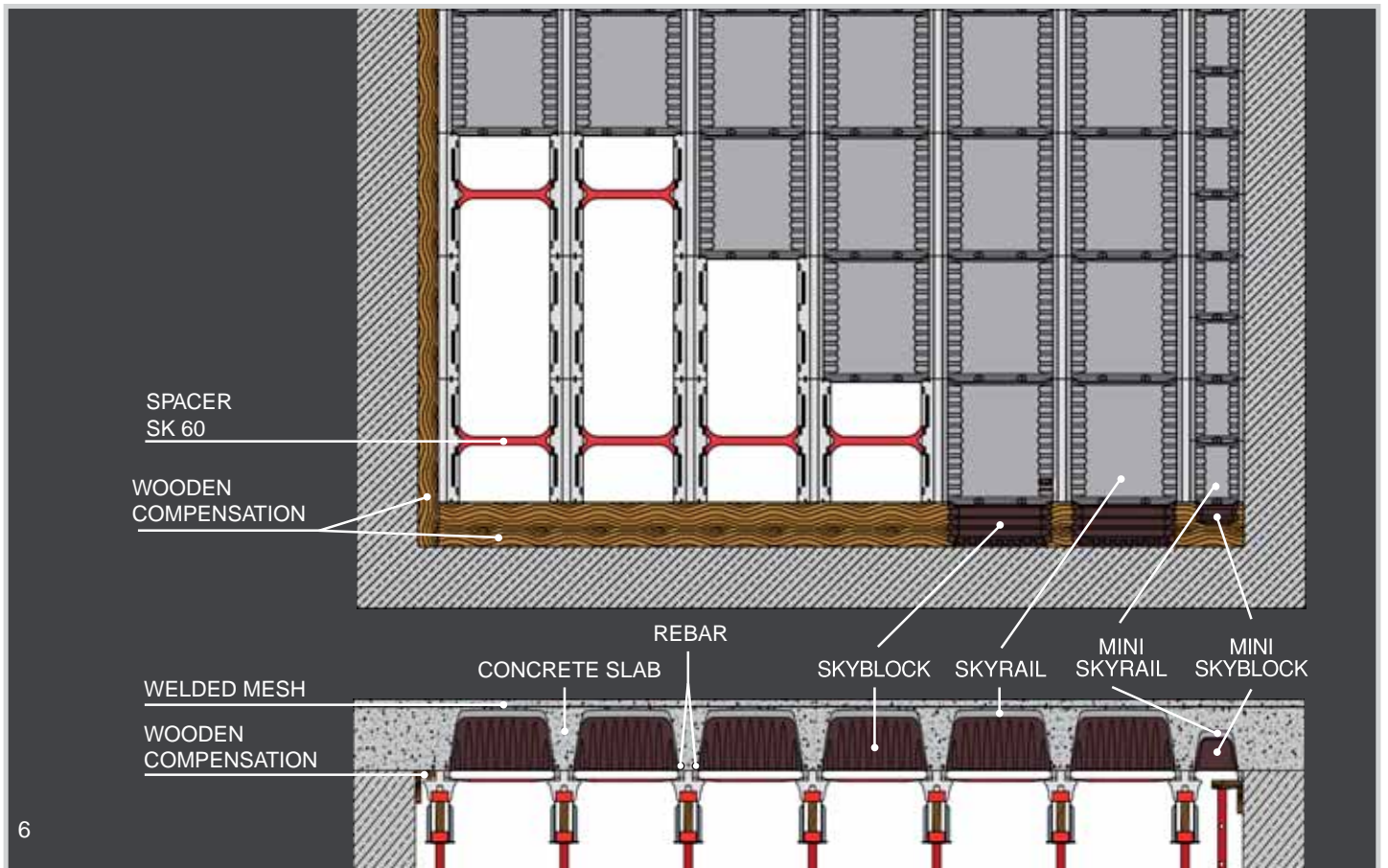
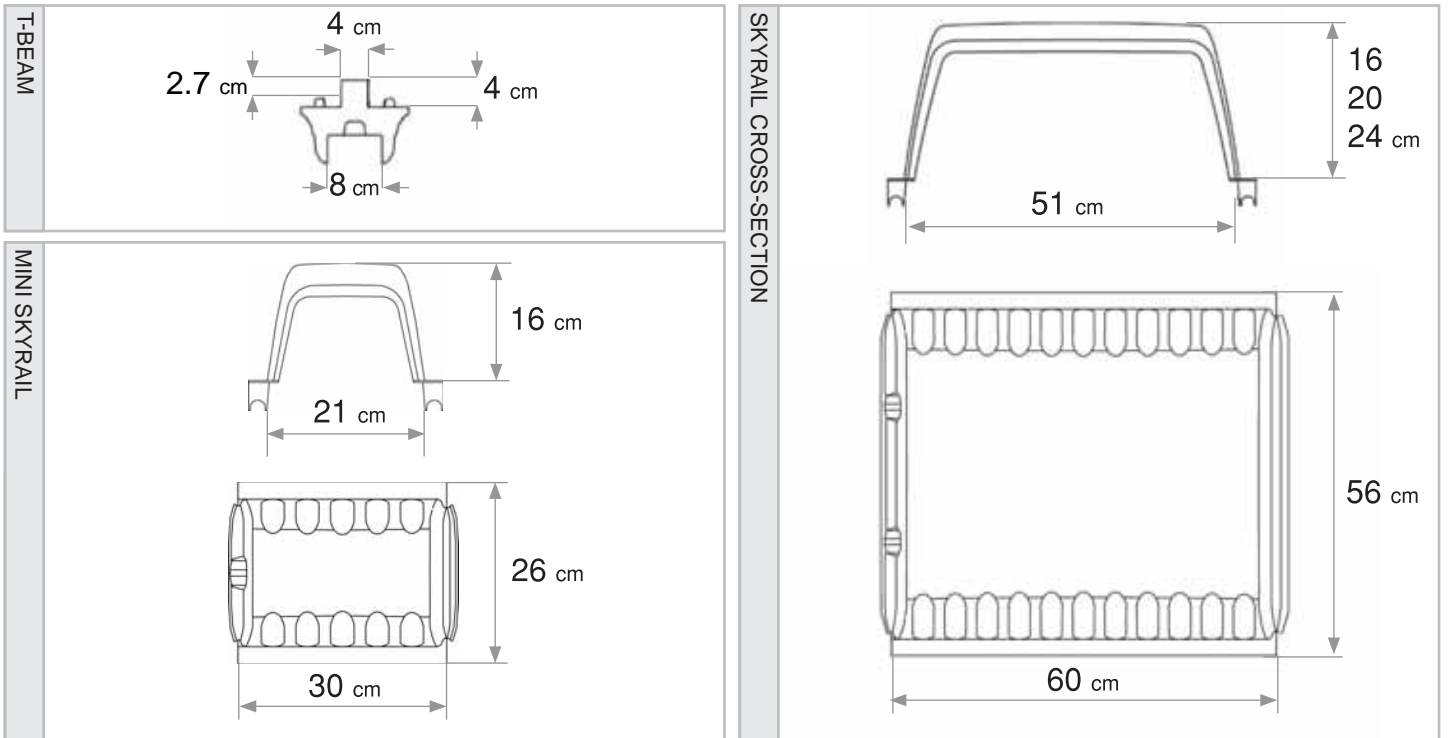
PROP high load bearing capacity
MATERIAL: Steel

(*) Acrylonitrile Butadiene Styrene (ABS): flexural modulus 2100 N/mm², tensile strength 45 N/mm², coefficient of thermal expansion 0,05 mm/m/°C

SKYRAIL TECHNICAL CHARACTERISTICS

LOAD FACTORS FOR THE SKYRAIL SYSTEM WITH T-BEAMS

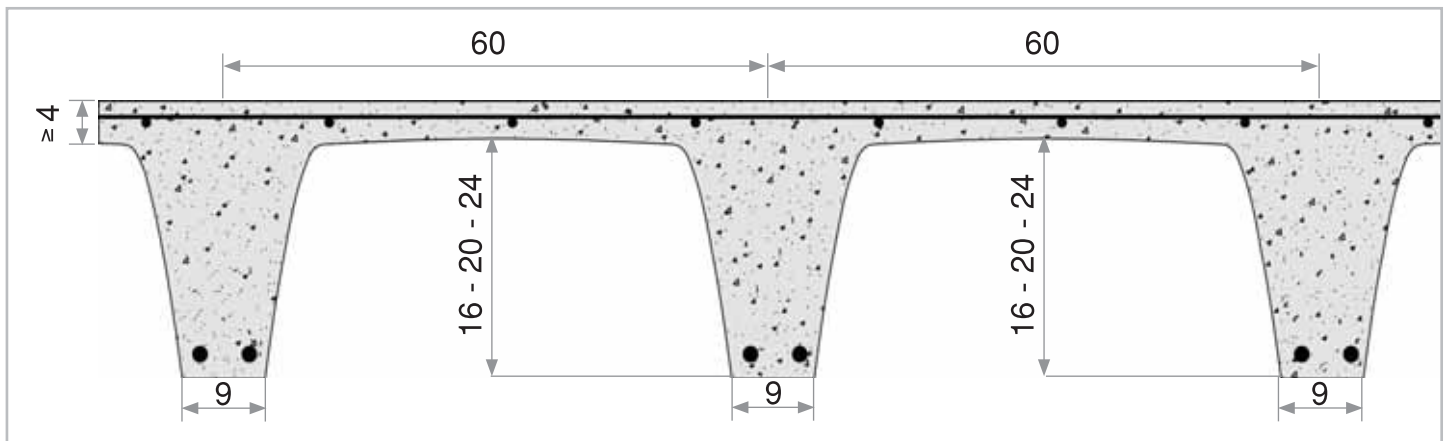
ITEM	LOAD FACTOR					
	Tractor 7.5 m			Trailer 13.6 m		
	No. SKYRAIL	No. T-Beams	m ²	No. SKYRAIL	No. T-Beams	m ²
SKYRAIL H 16 system complete of T-Beams	1664	1664	599	2912	2912	1048
SKYRAIL H 20 system complete of T-Beams	1632	1632	588	2856	2856	1028
SKYRAIL H 24 system complete of T-Beams	1600	1600	576	2800	2800	1008



SKYRAIL THECNICAL CHARACTERISTICS

STANDARD DIMENSIONALI SKYRAIL

ITEM	DIMENSIONS				
	ON CENTRES (cm)	SPACING (cm)	SKYRAIL DEPTH (cm)	RIBBING (cm)	Prop spacing (cm)
SKYRAIL H 16 system complete	60	51	16	9	300
SKYRAIL H 20 system complete	60	51	20	9	300
SKYRAIL H 24 system complete	60	51	24	9	300
MINI SKYRAIL system complete	30	21	16	9	300



SKYRAIL TECHNICAL CHARACTERISTICS

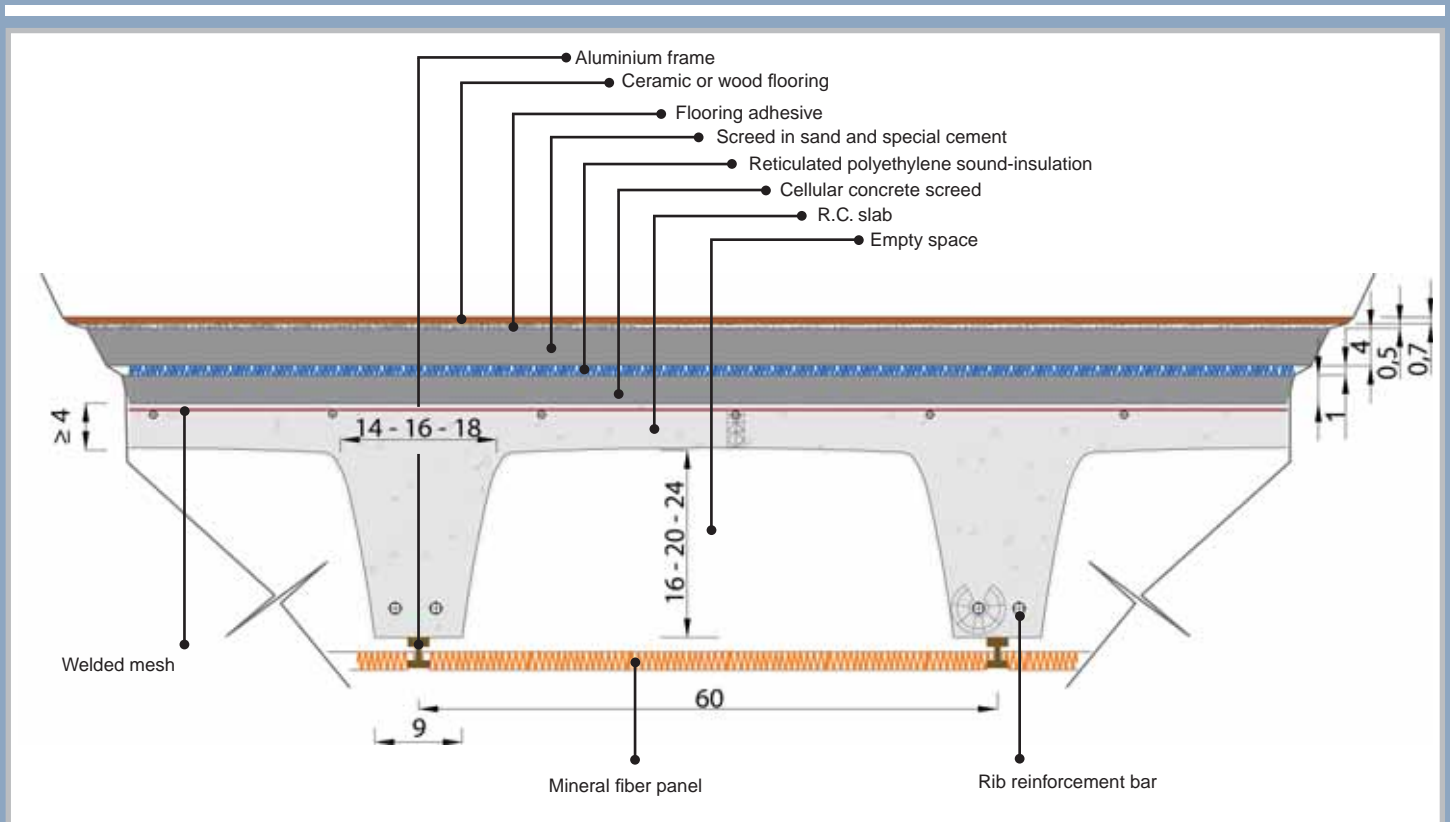
Dead and live loads kg/m ²	System height cm	Concrete consumption m ³ /m ²	Slab self-weight kg/m ²	Ribbing reinforcement size and quantity				
				1Ø12*	1Ø14*	1Ø16*	2Ø12*	2Ø14*
200+150	16+5	0.087	217	340	400	450	480	550
	20+5	0.102	255	370	430	490	510	590
	24+5	0.114	285	390	450	520	550	640
300+150	16+5	0.087	217	320	360	410	440	490
	20+5	0.102	255	340	400	450	470	510
	24+5	0.114	285	360	420	480	500	530
400+150	16+5	0.087	217	290	340	380	410	460
	20+5	0.102	255	320	370	410	440	470
	24+5	0.114	285	340	430	480	450	480

* Max. possible span (cm)

Materials assumed:

Concrete C25/30 - steel B450C

Welded mesh dia. 6 mm / 20x20 cm



Disclaimer: the values shown in this brochure are for guidance only. They are not meant to be used for design criteria. Their use and reliance thereon for any purpose by anyone is entirely voluntary and at the sole risk of the user. GEOPLAST is not responsible for any loss, claim, or damage resulting from their use.

CUSTOMER SERVICE: PROJECT DEVELOPMENT

Send your projects in DWG format to ufficiotecnico@geoplast.it

ASSEMBLY HANDBOOK AND TECHNICAL SPECIFICATIONS

Available in our website www.geoplast.it in the "Download Area"

Authorized dealer:



Manufactured by:

GEOPLAST S.p.A.

Via Martiri della Libertà, 6/8

35010 Grantorto (PD) - Italy

tel +39 049 9490289 - fax +39 049 9494028

e-mail: geoplast@geoplast.it - www.geoplast.it

REV.001
ST. 12/2010