

Range

Protection profiles



DINAC
PRO

Special for professional use



Transition profiles



Stopping profiles



Stair nosing profiles and stair tread inserts



Protection profiles



Expansion joints



Lighted profiles



Entrance matting



Tooling

Know-how and innovation at your service



Research in aid of development

- Review of technology and needs.
- Computer Aided Design for new products and application techniques.
- Laboratory tests, implementation and pre-production tests.

High-performance industrial tools

- Mastery of the whole industrial process: forming, roll bending, cutting, drilling, decoration, punching, adhesive application, cropping.
- Continuous production checking and testing.
- Professional market (hotels, industry, shopping malls, hospitals, etc).
- Technological products (expansion joints, floor/wall lighting, entrance mats).
- Subsidiaries abroad.

A marketing team at your disposal

- Customized product development.
- Promotion programs set up.
- Sampling on demand.
- Attending international exhibitions.
- Up-to-date with respect to interior decoration trends.

A high level of service

- Permanent stock holding at the plant.
- Technical assistance: immediate hot-line response to all customer questions.
- Special specifications dealt with: design and manufacture of small customized series.
- Computerized technical databases accessible via the Internet using a secured access.

Protection profiles



- Corner protections**
- Watertightening seals**
- Doors and walls protections**
- Hand rails**

In places opened to public these protection profiles will protect wall areas exposed to shocks and deterioration

Some of the profiles are available in AISI 304 stainless steel – they are in accordance with food industry standards



Corner protections	Adhesive fitting	4
	Simultaneous fitting	7
Sanitary watertightening joints	Adhesive fitting	7
Doors and walls protection	Adhesive fitting	8
Hand rails	Screw down fitting	10

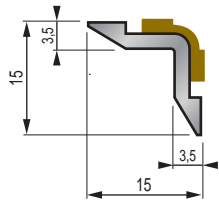
Corner protections



	Screw down fitting
	Glue down fitting
>	Adhesive fitting
	Simultaneous fitting

Internal angle

Adhesive corner guards for internal angle
15 x 15 mm



13.80

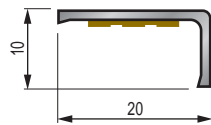


Aluminium Silver

BUTYLE

External angle

Adhesive corner guards for external angle
10 x 20 mm

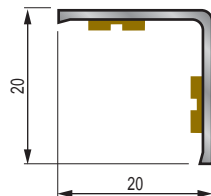


13.20



Aluminium Silver

20 x 20 mm



13.23



Aluminium Silver

13.24

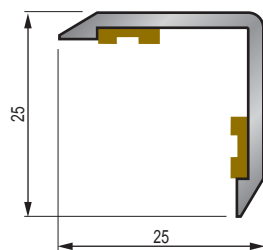


Aluminium Gold

Profiles fitted with butyle
base Dinac adhesive

BUTYLE

25 x 25 mm



13.30



Aluminium Silver

13.31

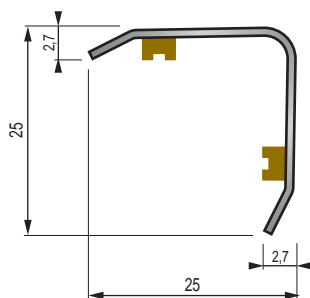


Aluminium Gold

In case of shock, the butyle
adhesive blocks act as
shock absorbers

We can supply any custom
made size or dimension in
stainless steel and plated
steel

25 x 25 mm



13.01



Stainless steel
Bright
AISI 430

13.05



Stainless steel
Glazed
AISI 304

13.04



PVC
coated steel
Brown

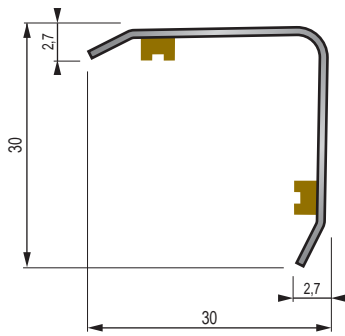
13.06



PVC
coated steel
White

Custom made brass
products: on request

30 x 30 mm

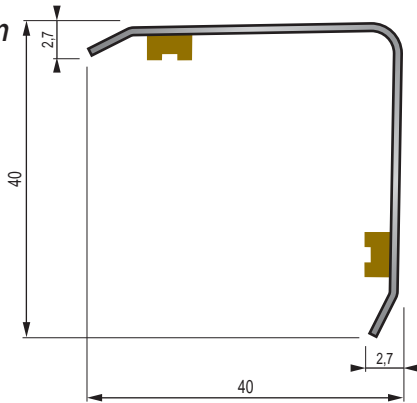


13.13



Stainless steel Glazed
AISI 304

40 x 40 mm

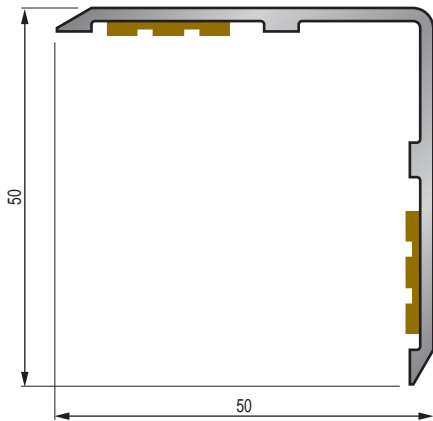


13.19



Stainless steel Glazed
AISI 304

50 x 50 mm

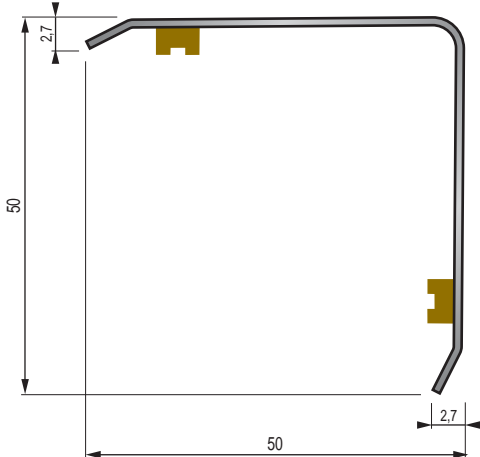


13.50



Aluminium Silver

50 x 50 mm



13.11



Stainless steel Bright
AISI 430

13.15



Stainless steel Glazed
AISI 304

13.14



PVC coated steel Brown

13.16



PVC coated steel White

Profiles fitted with butyle base Dinac adhesive

BUTYLE

We can supply any custom made size or dimension in stainless steel or plated steel

Custom made brass products: on request

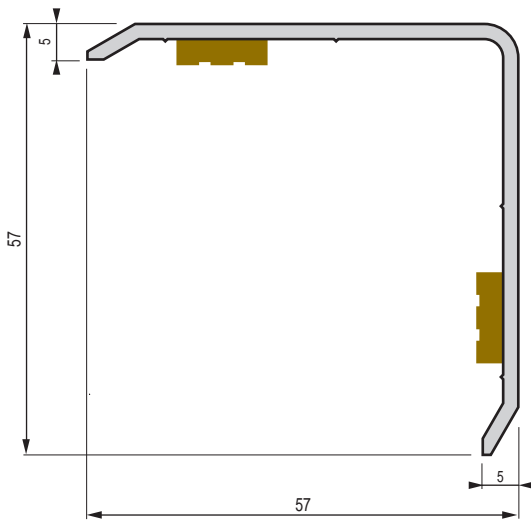


Corner protections

>	Screw down fitting
	Glue down fitting
	Adhesive fitting
	Simultaneous fitting

External angle

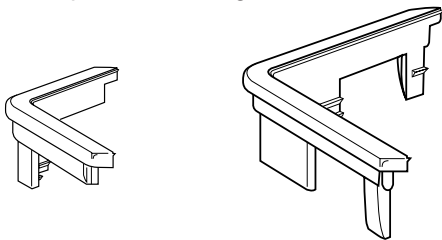
Adhesive shock-proof corner guards
57 x 57 mm



- 13.64 Shock-proof PVC Brown
- 13.65 Shock-proof PVC Beige
- 13.66 Shock-proof PVC Grey

BUTYLE

Adhesive shock-proof corner guards



25 x 25 30 x 30 40 x 40 50 x 50

- | | | | | |
|----------|----------|----------|-------|-----------|
| 39.28.25 | 39.28.30 | 39.28.40 | 39.29 | PVC Black |
| 39.65 | | | 39.66 | PVC Beige |
| 39.67 | | | 39.68 | PVC Grey |

Shock proof PVC
End caps for adhesive
corner guards

For aluminium and
stainless steel corne
guards

Not suitable for PVC
shockproof corner guards

Taylor made corner guards

We can supply any custom made folded profile on request

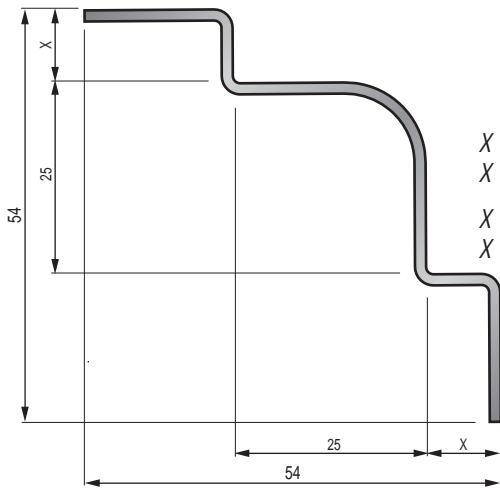
Following materials are available: stainless steel, brass, polycarbonate, plated steel



Simultaneous fitting

External and internal angle

*Shockproof corner guards for internal angle
25 x 25 mm*



X = 9 mm **13.85**

X = 11 mm **13.86**

X = 9 mm **13.87**

X = 11 mm **13.88**

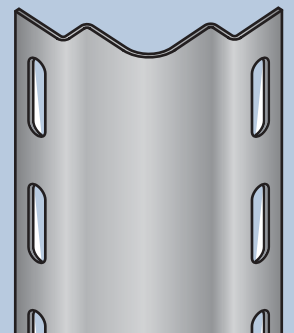


Stainless steel Bright

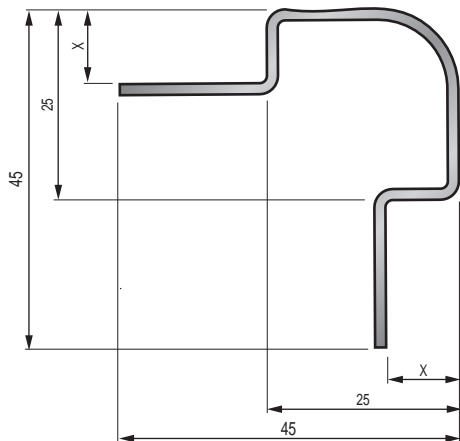


Stainless steel Glazed

*Any specific shape or
dimension available
on request*



*Shockproof corner guards for external angle
25 x 25 mm*



X = 9 mm **13.92**

X = 11 mm **13.93**

X = 9 mm **13.90**

X = 11 mm **13.91**

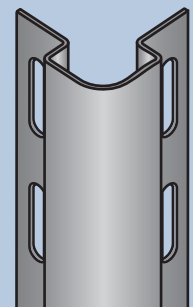


Stainless steel Bright



Stainless steel Glazed

*Any specific shape or
dimension available
on request*



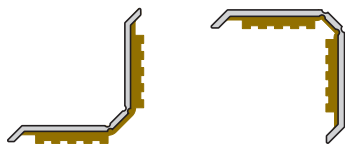
Sanitary watertighting seals



Adhesive fitting

*Seal for inner and
outer angle*

BUTYLE



10 x 10

67.70

15 x 15

67.60

20 x 20

67.63



PVC

White

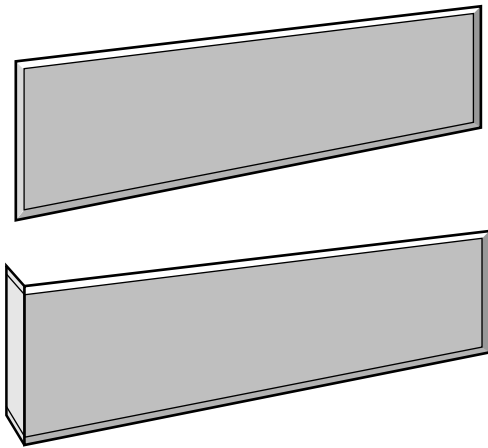


Door and wall protections

	Screw down fitting
	Glue down fitting
>	Adhesive fitting
	Simultaneous fitting



Stainless steel panel 10/10^e



17.51



Stainless steel Bright

17.54



Stainless steel Glazed
AISI 304

Adhesive fitting
(butyle adhesive...)

BUTYLE

Or to be glued down
(supplied without adhesive)

10/10 th mm stainless steel door protection panels

The self adhesive door plates are supplied cut to required dimensions and ready for installation. The high performance butyl base adhesive is formulated, manufactured and controlled by Dinac. We nevertheless recommend to proceed with a preliminary sticking test. We further advise to apply a primer and heat up the support.

Polycarbonate panel 20/10^e



17.84



Polycarbonate White

17.64



Polycarbonate Beige

17.74



Polycarbonate Light grey

Adhesive fitting
(butyle adhesive...)

BUTYLE

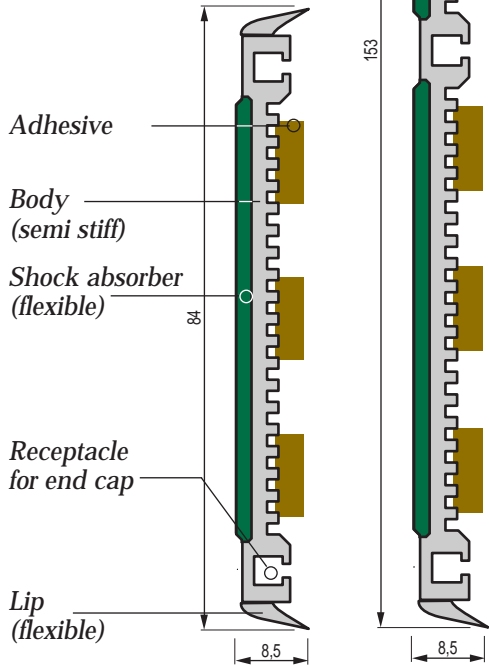
Or to be glued down
(supplied without adhesive)

The panels edges can be
bevelled on all four sides

20/10 th mm polycarbonate adhesive door protection panel

The hypershockproof polycarbonate panels are either self adhesive or have to be glued down. Fire classification: M1. Rough surface. Easy maintenance with currently available products. A preliminary sticking test is advised. To be glued down with standard contact glues (follow glue manufacturer recommendations). Plates can be supplied cut to required size and with bevelled edges.

Adhesive wall protection profiles



Wall protection 80 mm



17.08

Brown/Beige

RAL 8014/1013



17.10

Grey/White

RAL 7035/9010

Wall protection 150 mm



17.15

Brown/Beige



17.17

Grey/White

Twin hardness PVC profile

Body: semi stiff

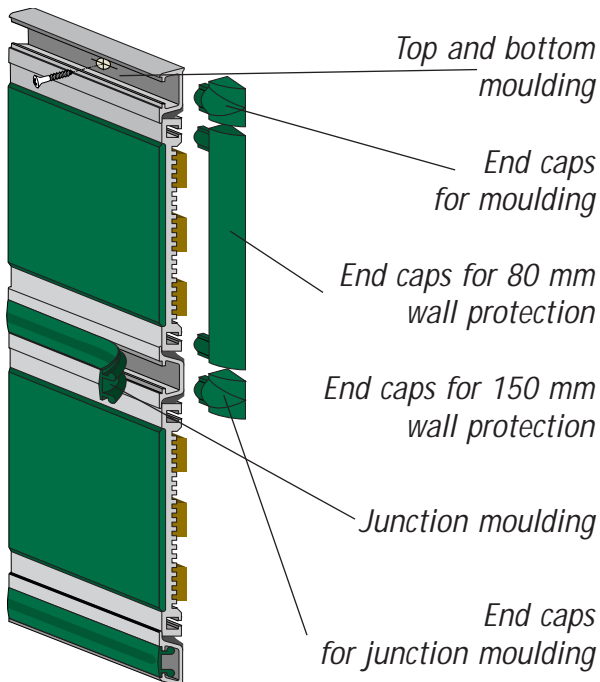
Lips: flexible

Shock absorbers: excessive thickness of butyle adhesive strips.

Rough surface. The anti shock strips combined to adhesive blocks absorb shocks and reduce noise transmission.

End caps: allow a good finish of wall protection ends.

Accessories



Brown

Grey



17.00



17.01



17.02



17.03



39.11



39.46



39.12



39.47



17.04



17.05



17.06



17.07



Hand rails



Screw down fitting
Glue down fitting
Adhesive fitting
Simultaneous fitting

Aluminium tube



- 42.10  Aluminium Silver
- 42.11  Aluminium Gold
- 42.13  Laquered White

Diameter: 45 mm

Accessories

End cap

42.37



Angle section

42.27



-  PVC Brown
-  PVC Black
-  PVC White

Wall section


42.20



Junction sleeve

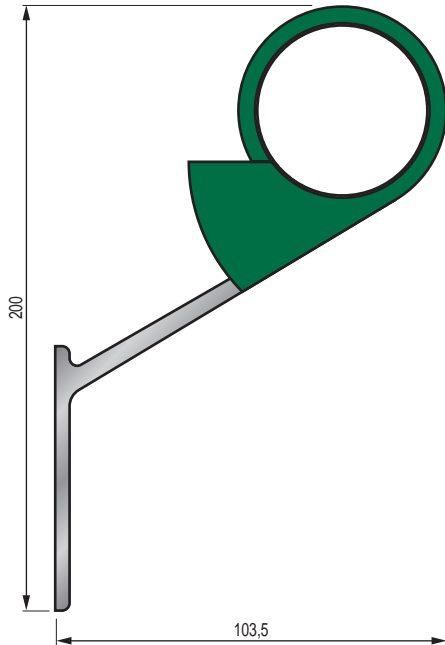
42.60




-  PVC Grey

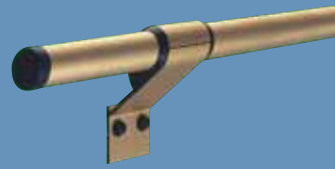
Non visible part

*Mounting bracket
MC 45*



Scale:
50 %

- 42.40  Aluminium Silver
- 42.41  Aluminium Gold





Mounting brackets are supplied with screws
It is advised to fit one bracket for each linear meter and one at each end



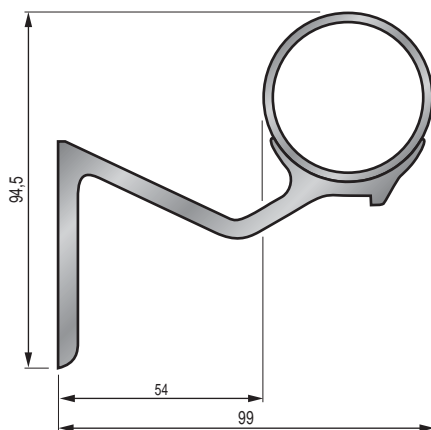
*Covers for
MC 45
mounting bracket*





- 42.49  PVC Brown
-  PVC White

To ensure perfect holding of handrail, mounting bracket covers should be fitted

*Mounting bracket
MC 45 E hand rail*



Scale:
50 %

- 42.50  Aluminium Silver
- 42.51  Aluminium Gold



Mounting brackets are supplied with two rivets
It is advised to fit one bracket for each linear meter and one at each end



Protection
profiles

Range

DINAC
PRO

Dinac s.a.s

Head office - Factory
Professional sales departement

Z.I. des Marais - B.P. 29
38350 La Mure - France
Tél.: +33 (0) 4 76 81 14 22
Fax: +33 (0) 4 76 30 93 03
dinac@dinac.fr

Dinac Benelux

KMO-Centrum "Ter Spei" - Speistraat 42
B-9030 Gent - Mariakerke
Tél.: +32 (0) 9 225 40 05
Fax: +32 (0) 9 223 04 13
dinacbenelux@dinac.fr

Service commercial Secteur Professionnel :
comfrance@dinac.fr

Service commercial Grand Export :
comexport@dinac.fr

www.dinac.com